

## EDGE EH500 Series 5.0 Forged Brass Body Regulator

**EDGE EH500 Series** regulators are intended for primary pressure gas control of:

- ▶ **Non-Corrosive**
- ▶ **High Purity gases** (up to 5.0 Grade)

The **EDGE EH500** series regulators are intended for primary pressure gas control of non corrosive, high purity gases, up to 5.0 purity grade. Victor® has been the leader in gas equipment for one hundred years, and its tradition of unparalleled safety remains a cornerstone of the brand today. With the Victor Professional EDGE Series Regulators, Victor continues to offer the safest, most reliable and highest quality gas control technology, giving you more value for your purchase. In addition, standardized designs and components throughout the EDGE family greatly simplify regulator service and repair.

**EHS500 Series** – Forged Brass Body Single Stage Regulator for applications where slight pressure variance in delivery pressure is acceptable (as cylinder pressure decreases)

**EHT500 Series** – Forged Brass Body Two Stage Regulator for applications where constant pressure is required (as cylinder pressure decreases)



**EHS500 SERIES**



**EHT500 SERIES**



## EDGE EH500 Series 5.0 Forged Brass Body Regulator

### EH500 SERIES

#### TYPICAL APPLICATIONS

Purging  
Pressure testing  
Gas shielding  
Hydrocarbon service

#### MATERIALS

Body	Forged Brass
Bonnet	High strength alloy
Seat	Viton (Acetylene) / PCTFE
Diaphragm	Stainless Steel
Seals	Viton
Filter	50 Micron Sintered Bronze (Plated)

#### FEATURES

Full range of inlet and outlet fittings  
High impact ABS  
SLAM™ knob design  
Recessed gauge for improved safety

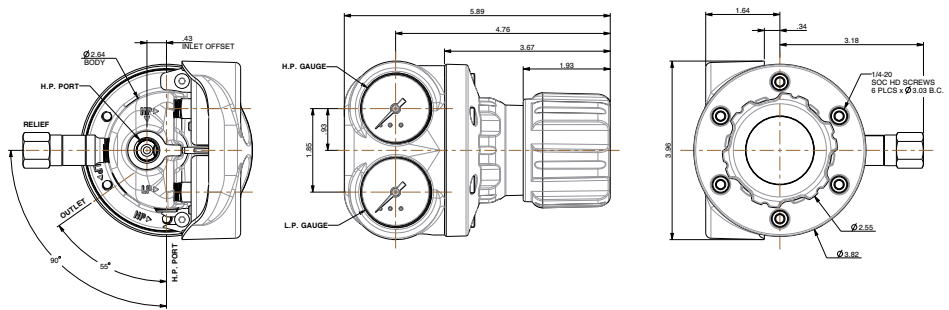
#### SPECIFICATION

Maximum Inlet Pressure	25 bar (360 psig), 207 bar (3000 psig), 300 bar (4350 psig)*		
Delivery Pressure Range psig	0-15 psig, 0-40 psig, 0-125 psig, 0-200 psig.		
Delivery Pressure Range bar	0-1 bar, 0-2.8 bar, 0-8.6 bar, 0-13.8 bar		
Gauges	40 mm (1 1/2") diameter gauges		
Ports	1/4" NPT Female		
Temperature Range	-40° C to +60° C (60° F to 140° F)		
Flow Coefficient	EHS500	EHT500	
	$C_v=0.283$	$C_v=0.178$	
Ports	1/4" NPT Female		
Weight	EHS500	1.81 kg (4.0 lb)	
	EHT500	2.15 kg (4.7 lb)	

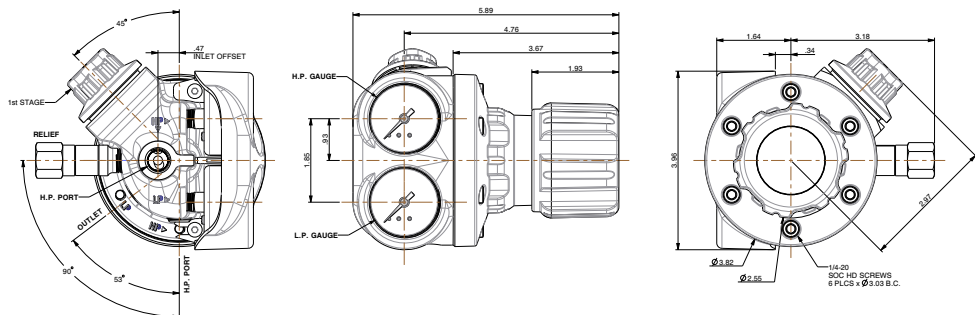
\*Single and Two Stage regulators with no fitting fitted in to the regulator

### DIMENSIONS

#### EHS500 Series –



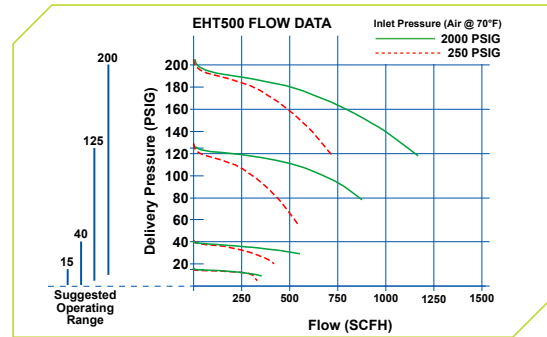
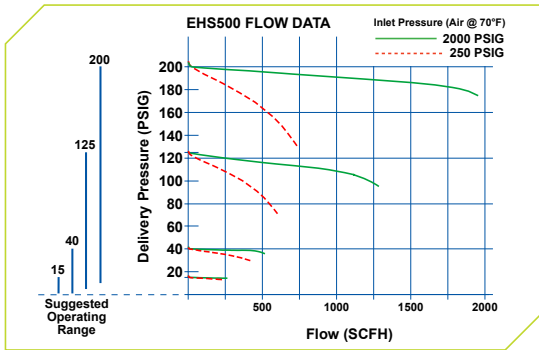
#### EHT500 Series –



# EDGE EH500 Series

## 5.0 Forged Brass Body Regulator

### FLOW PERFORMANCE



### MODEL NO. SELECTOR GUIDE

# EHS500-03-15-09-09-054-58-A

PRODUCT MODEL	INLET PRESSURE	DELIVERY PRESSURE	INLET PRESSURE GAUGE UNIT	DELIVERY PRESSURE GAUGE UNIT	INLET FITTINGS	OUTLET FITTINGS	OPTIONS
<b>EHS500</b>	<b>01</b> 360 psi	<b>01</b> 0-15 psi	<b>09</b> PSI/KPA (Default no options)	<b>09</b> PSI/KPA (Default no options)	<b>000</b> No Inlet Fittings	<b>00</b> No Outlet Fittings	<b>A</b> No Options
<b>EHS510 (Acetylene)</b>	<b>03</b> 3000 psi	<b>14</b> 0-40 psi			<b>001</b> 1/8" Compression Tube Brass	<b>01</b> 1/8" Compression Tube Brass	<b>L</b> Compliance Certificate
	<b>04</b> 4350 psi	<b>15</b> 0-125 psi			<b>003</b> 1/4" Compression Tube Brass	<b>03</b> 1/4" Compression Tube Brass	<b>N</b> Without Relief Valve
		<b>16</b> 0-200 psi			<b>007</b> 1/4" NPT Male Brass	<b>07</b> 1/4" NPT Male Brass	
					<b>044</b> CGA 280 Brass	<b>21</b> Control Valve 1/4" NPT Brass	
					<b>045</b> CGA 296 Brass	<b>22</b> Control Valve 1/8" Compression Tube Brass	
					<b>046</b> CGA 300 Brass	<b>23</b> Control Valve 1/4" Compression Tube Brass	
					<b>047</b> CGA 320 Brass	<b>57</b> DRK Diffusion Resistant Shut-Off Valve 1/4" NPT Female Brass	
					<b>048</b> CGA 326 Brass	<b>58</b> DRK Diffusion resistant Shut-Off Valve 1/8" Tube Brass	
					<b>050</b> CGA 346 Brass	<b>59</b> DRK Diffusion resistant Shut-Off Valve 1/4" Tube Brass	
					<b>051</b> CGA 350 Brass	<b>60</b> DRK Diffusion resistant Shut-Off Valve 1/4" NPT Male Brass	
					<b>053</b> CGA 510 Brass		
					<b>054</b> CGA 540 Brass		
					<b>056</b> CGA 580 Brass		
					<b>057</b> CGA 590 Brass		
					<b>061</b> CGA 992 Brass		
					<b>062</b> CGA 993 Brass		

- Rules: **EHS500** 1) Model number for delivery pressures from 40 up to 200 psi  
 2) Inlet Pressure of 4350 psi (option 4) only available with no inlet fitting (option 00 - inlet fittings) and option N (without relief valve - options) not available
- EHS510 Acetylene** 1) Model number for 15 psi delivery pressure only (Acetylene regulator) Inlet Fitting CGA 510 only and 360 psi inlet pressure

## EDGE EHT500 Series 5.0 Forged Brass Body Regulator

### MODEL NO. SELECTOR GUIDE

# EHT500-03-16-09-09-054-21-L

PRODUCT MODEL	INLET PRESSURE	DELIVERY PRESSURE	INLET PRESSURE GAUGE UNIT	DELIVERY PRESSURE GAUGE UNIT	INLET FITTINGS	OUTLET FITTINGS	OPTIONS
<b>EHT500</b>	<b>01</b> 360 psi	<b>01</b> 0-15 psi	<b>09</b> PSI/KPA (Default no options)	<b>09</b> PSI/KPA (Default no options)	<b>000</b> No Inlet Fittings	<b>00</b> No Outlet Fittings	<b>A</b> No Options
<b>EHT510 (Acetylene)</b>	<b>03</b> 3000 psi	<b>14</b> 0-40 psi			<b>001</b> 1/8" Compression Tube Brass	<b>01</b> 1/8" Compression Tube Brass	<b>L</b> Compliance Certificate
	<b>04</b> 4350 psi	<b>15</b> 0-125 psi			<b>003</b> 1/4" Compression Tube Brass	<b>03</b> 1/4" Compression Tube Brass	<b>N</b> Without Relief Valve
		<b>16</b> 0-200 psi			<b>007</b> 1/4" NPT Male Brass	<b>07</b> 1/4" NPT Male Brass	
					<b>044</b> CGA 280 Brass	<b>21</b> Control Valve 1/4"N PT Brass	
					<b>045</b> CGA 296 Brass	<b>22</b> Control Valve 1/8" Compression Tube Brass	
					<b>046</b> CGA 300 Brass	<b>23</b> Control Valve 1/4" Compression Tube Brass	
					<b>047</b> CGA 320 Brass	<b>57</b> DRK Diffusion Resistant Shut-Off Valve 1/4" NPT Female Brass	
					<b>048</b> CGA 326 Brass	<b>58</b> DRK Diffusion resistant Shut-Off Valve 1/8" Tube Brass	
					<b>050</b> CGA 346 Brass	<b>59</b> DRK Diffusion resistant Shut-Off Valve 1/4" Tube Brass	
					<b>051</b> CGA 350 Brass	<b>60</b> DRK Diffusion resistant Shut-Off Valve 1/4" NPT Male Brass	
					<b>053</b> CGA 510 Brass		
					<b>054</b> CGA 540 Brass		
					<b>056</b> CGA 580 Brass		
					<b>057</b> CGA 590 Brass		
					<b>061</b> CGA 992 Brass		
					<b>062</b> CGA 993 Brass		

- Rules: **EHT500** 1) Model number for delivery pressures from 40 up to 200 psi  
 2) Inlet Pressure of 4350 psi (option 4) only available with no inlet fitting (option 00 - inlet fittings)  
**EHT510 Acetylene** 1) Model number for 15 psi delivery pressure only (Acetylene regulator) Inlet Fitting CGA 510 only and 360 psi inlet pressure